

1st PRINTING AUG 99

# SEGA



# AIRLINE PILOTS™

ADDENDUM TO OWNER'S MANUAL



SEGA ENTERPRISES, INC. USA

MANUAL NO. 4201-6479-01



## **Warranty**

Your new Sega Product is covered for a period of 90 days from the date of shipment. This certifies that the Printed Circuit Boards, Power Supplies and Monitor are to be free of defects in workmanship or materials under normal operating conditions. This also certifies that all Interactive Control Assemblies are to be free from defects in workmanship and materials under normal operating conditions. No other product in this machine is hereby covered.

Sellers sole liability in the event a warranted part described above fails shall be, at its option, to replace or repair the defective part during the warranty period. For Warranty claims, contact your Sega Distributor.

Should the Seller determine, by inspection that the product was caused by Accident, Misuse, Neglect, Alteration, Improper Repair, Installation or Testing, the warranty offered will be null and void.

Under no circumstances is the Seller responsible for any loss of profits, loss of use, or other damages.

This shall be the exclusive written Warranty of the original purchaser expressed in lieu of all other warranties expressed or implied. Under no circumstance shall it extend beyond the period of time listed above.

## General Precautions

---

**Follow Instructions:** All operating and use instructions should be followed.

**Attachments:** Do not use attachments not recommended by the product manufacturer as they may cause hazards.

**Accessories:** Do not place this product on an unstable cart, stand, tripod, bracket, or table. The product may fall, causing serious injury to a child or adult, and serious damage to the product. Use only with a cart, stand, tripod, bracket, or table recommended by the manufacturer, or sold with the product. Any mounting of the product should follow the manufacturer's instructions, and should use only mounting accessories recommended by the manufacturer.

**Moving the Product:** This product should be moved with care. Quick stops, excessive force, and uneven surfaces may cause the product to overturn.

**Ventilation:** Slots and openings in the cabinet are provided for ventilation, to ensure reliable operation of the product and to protect it from overheating; these openings must not be blocked or covered. The openings should never be blocked by placing the product in a built-in installation such as a bookcase or rack unless proper ventilation is provided or the manufacturer's instructions have been adhered to.

**Power Sources:** This product should be operated only from the type of power source indicated on the marking label. If you are not sure of the type of power supply to your location, consult your local power company. For products intended to operate from battery power or other sources, refer to the operating instructions.

**Grounding or Polarization:** This product is equipped with a three-wire grounding-type plug, a plug having a third (grounding) pin. This plug will only fit into a grounding-type power outlet. This is a safety feature. If you are unable to insert the plug into the outlet, contact your electrician to replace your obsolete outlet. Do not defeat the safety purpose of the grounding-type plug.

**Power Cord Protection:** Power-supply cords should be routed so that they are not likely to be walked on or pinched by items placed upon or against them, paying particular attention to cords at plugs, convenience receptacles, and the point where they exit from the product.

**Overloading:** Do not overload wall outlets, extension cords, or integral convenience receptacles as this can result in a risk of fire or electric shock.

**Object and Liquid Entry:** Never push objects of any kind into this product through openings as they may touch dangerous voltage points or short-out parts that could result in a fire or electric shock. Never spill liquid of any kind on the product.

**Servicing:** Do not attempt to service this product yourself as opening or removing covers may expose you to dangerous voltage or other hazards. Refer all servicing to qualified service personnel.

**Damage Requiring Service:** Unplug this product from the wall outlet and refer servicing to qualified service personnel under the following conditions:

- a) If the power cord or plug is damaged;
- b) If liquid has been spilled, or objects have fallen into the product;
- c) If the product has been exposed to rain or water;
- d) If the product does not operate normally when following the operating instructions. Adjust only those controls that are explained in the operating instructions. An improper adjustment of other controls may result in damage and will often require extensive work by a qualified technician to restore the product to its normal operation;
- e) If the product has been dropped or damaged in any way;
- f) When the product exhibits a distinct change in performance; this indicates a need for service.

**Replacement Parts:** When replacement parts are required, be sure the service technician has used replacement parts specified by the manufacturer or that have the same characteristics as the original part. Unauthorized substitutions may result in fire, electric shock, or other hazards.

**Safety Check:** Upon completion of any service or repairs to this product, ask the service technician to perform safety checks to determine that the product is in proper operating condition.

**Heat:** The product should be situated away from heat sources such as radiators, heat registers, stoves, or other products (including amplifiers) that produce heat.

**Lithium Battery-** Dispose of batteries only in accordance with the battery manufacturer's recommendations. Do not dispose in an open flame condition, since the battery may explode.

**Cleaning:** When cleaning the monitor glass, use water or glass cleaner and a soft cloth. Do not apply chemicals such as benzene, thinner, etc.

**Location:** This an indoor game machine, DO NOT install it outside. To ensure proper usage, avoid installing indoors in the places mentioned below:

- Places subject to rain/water leakage, or condensation due to humidity;
- In close proximity to a potential wet area;
- Locations receiving direct sunlight;
- Places close to heating units or hot air;
- In the vicinity of highly inflammable/volatile chemicals or hazardous matter;
- On sloped surfaces;
- In the vicinity of emergency response facilities such as fire exits and fire extinguishers;
- Places subject to any type of violent impact;
- Dusty places.

#### **INSTALLATION PRECAUTIONS**

- Verify the amperage of the branch circuit outlet before plugging in the power plug. Do not overload the circuit.
- Avoid using an extension cord. If one is required, use an extension cord of type SJT, 16/3 AWG rated min. 120 VAC, 7A.
- Moving this unit requires a minimum clearance (of doors, etc.) of 32" (W) by 77" (H).
- For the operation of this machine, secure a minimum area of 32" (W) by 42"(D).

#### **REGULATORY APPROVALS**

This game has been tested and found to comply with the Federal Communications Commission Rules.

This device complies with Part 15 of the FCC Rules. Operation is subject to the following two conditions: (1) This device may not cause harmful interference, and (2) this device must accept any interference received, including interference that may cause undesired operation.

This game has been tested and listed by Underwriters Laboratories, Inc., to ANSI/UL22.



## OPTIONAL DOLLAR BILL ACCEPTOR

● THE COIN DOOR ASSEMBLY USED ON AIRLINE PILOT COMES EQUIPPED TO ACCEPT A DOLLAR BILL ACCEPTOR. ALL NEEDED WIRING CONNECTIONS ARE CONVIENENTLY LOCATED INSIDE THE GAME FOR THIS APPLICATION.

● THE COIN DOOR CAN ACCCOMMODATE THE FOLLOWING VALIDATORS:

HOLE POSITION#1 (FORWARD-MOST POSITION)	MARS 2000 SERIES
--	------------------

HOLE POSITION#2	MARS 2000 SERIES DBV45 (JCM)
-----------------	---------------------------------

HOLE POSITION #3	CURRENTLY NOT USED
------------------	--------------------

HOLE POSITION #4	DSIO1*
------------------	--------

\*The back flange on the chute can be removed for hole position #4. If the flange is not removed, it may interfere with the back of the cabinet.

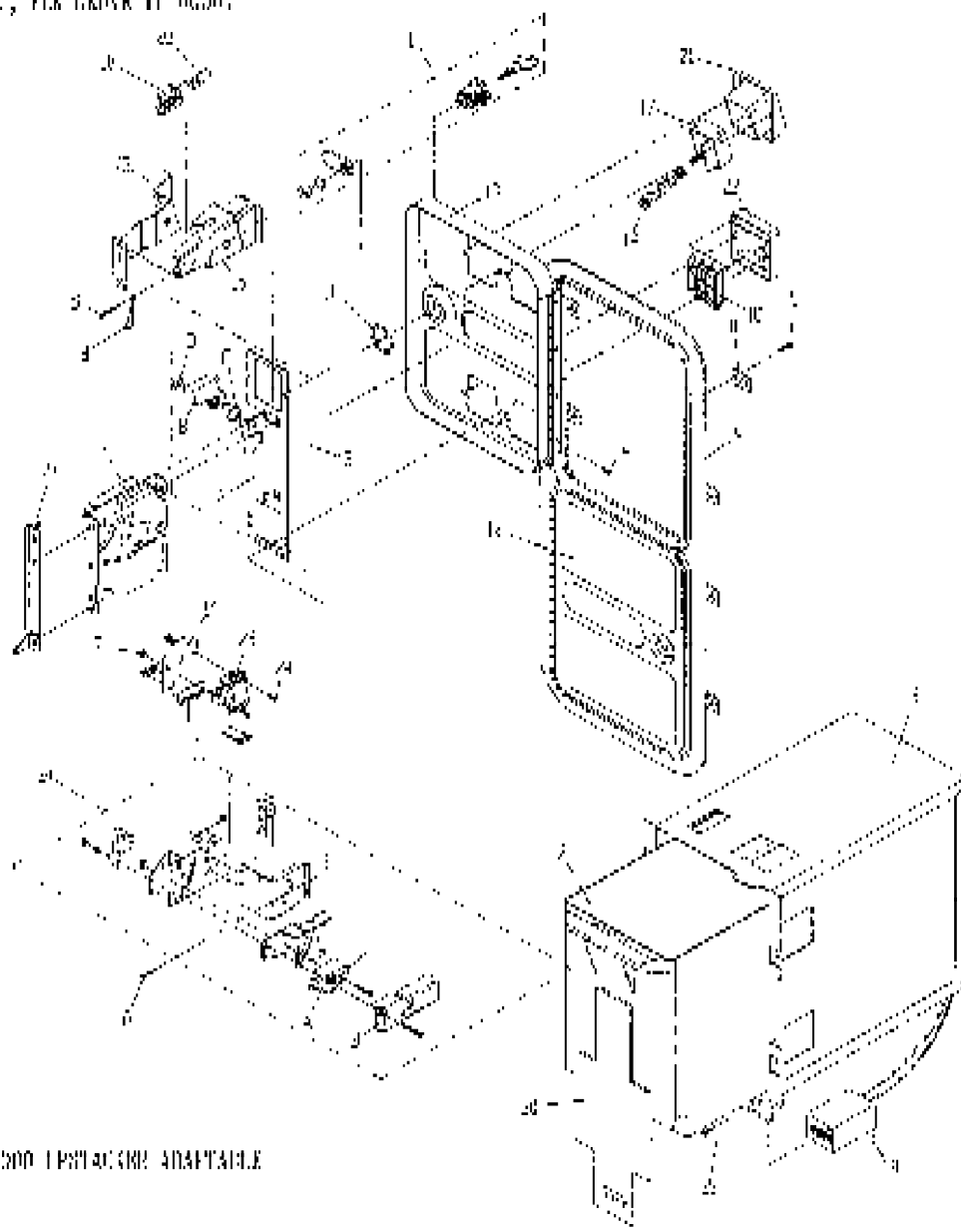
The frame and cashbox enclosure on this coindoor has been modified to accomodate a Mars 2000 series upstacker. A 2000 series stacker can be added by simply removing the top two entry door and replacing it with a one entry door with a cut-out for a stacker. This one entry door can be ordered through Coin Controls or one of Coin Controls authorized distributors. The Part # is 91-4000-01. The Mars stacker can be obtained through an authorized Mars distributor.

# COIN CONTROLS INTERNATIONAL

1050 HOWARD ST., FLE CROVE II 60307  
(847) 238 1800



## OVER/UNDER TWO ENTRY COIN DOOR\*

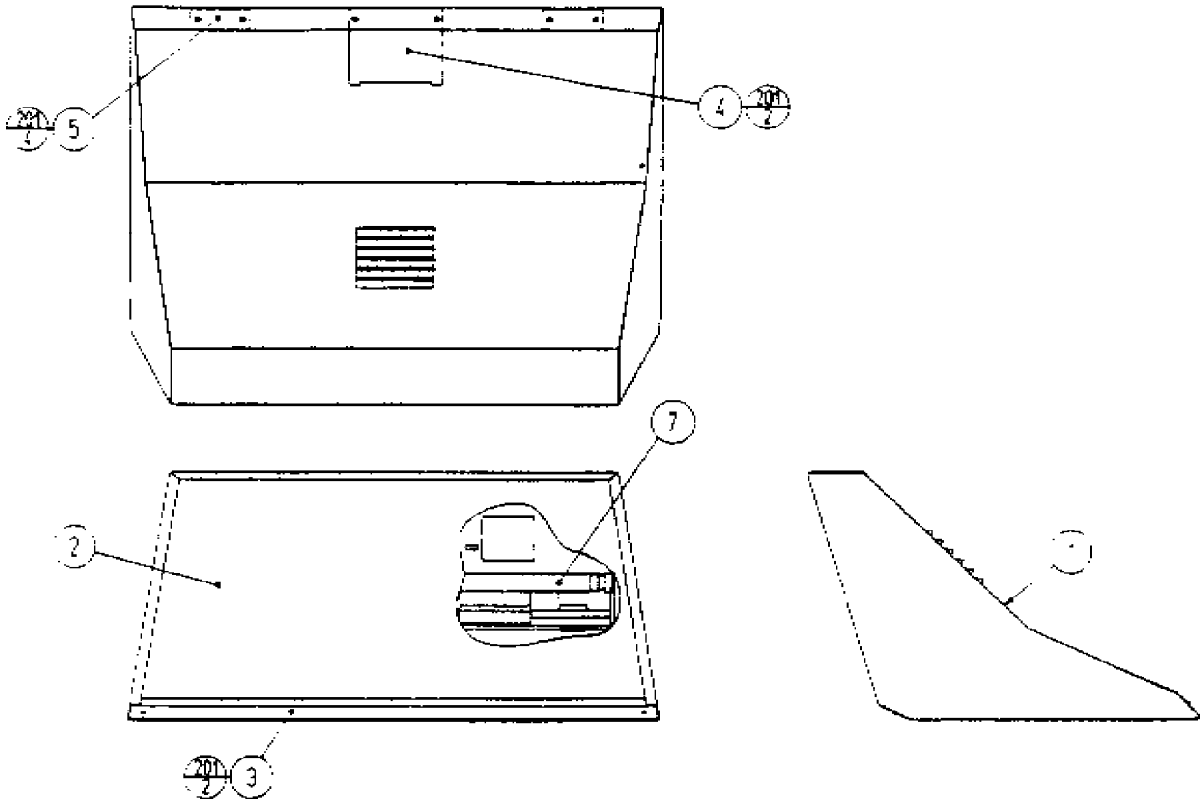


\* 4505 SERIES 2500 LPMACHINE ADAPTABLE

PART #	DESCRIPTION	COST	PART #	DESCRIPTION	COST	PART #	DESCRIPTION	COST		
11	12-4050-25	3.50	151	91-1130-16	ARMED TAP W/SLD BLADE	1.70	36	28-1511-06	2" D. WHEEL	1.50
12	1130-01	0.90	152	91-1135-01	ENVELOPE/LETTER ENTRY SPR	1.50	37	100-100-00	1.5" D. WHEEL	0.50
21	28-1175-50	1.40	153	91-1117-30	LAMP HOLDER	1.40	38	90-1035-01	ENTER & LOCKOUT KEYP	.25
31	28-1165-50	17.50	181	91-1131-30	91" BUTTON SPRING	.30	39	22-1400-00	LOCKING KEY	3.00
41	96-1002-20	.25	201	91-1110-30	6Y LAMP HOLDER BASE	.30	41	30-1010-00	3/4" D. WHEEL	.25
51	96-1000-50	.25	211	91-1111-30	BUTTON WHEEL PLATE	2.70				
61	26-1010-00	.25	221	91-1112-30	3212" WHEEL PLATE	2.70				
71	50-1035-02	.25	231	91-2125-30	25 LOCKOUT TOOL ASSEMBLY	12.95				
22	20-1700-00	.30	241	91-2116-16	MICROSWITCH ASSEMBLY	10.50				
33	51-1600-00	30.00	251	91-1116-16	MICROSWITCH PLATE	0.40				
101	51-4020-00	.40	31	1116-11	MICROSWITCH PLATE	0.40				
111	51-0547-00	0.20	41	1116-14	MICROSWITCH KEY	0.40				
121	51-0605-16	1.40	501	51-1025-00	MICROSWITCH PLASTIC COVER	.15				
131	91-0624-16	30.00	51	91-0624-16	51" TUBET LAMP SOCKET	1.50				
141	91-0624-049	4.40	251	62-072-002	51" TUBET COVER SOCKET	1.00				
151	91-0624-049	5.40	271	82-1023-10	HELD DOWN SPRING	1.50				

# MODIFICATIONS TO THE PARTS LIST

ASSY BILLBOARD (APC1-0200)



ITEM NO.	PART NO.	DESCRIPTION
1	APC-0201	BILLBOARD BASE
2	APC-0202	BILLBOARD PLATE STD
3	APC-0203	PLATE HOLDER
4	APC-0204	CONNECTOR LID
5	APC-0205	BOLT LID
7	LOCAL PURCHASE	ASSY 20W FL
201	000-T00408-0C	M SCR TH CRM M4X8

NOTE: That references made to the ASSY BILLBOARD (APC-0200) should instead refer to the drawing above with the number (APC1-0200)

Go To: <http://www.segaservice.com/SEGA/SERVICE/mainpage.html>



[What's new](#) | [Manuals](#) | [Bulletins](#) | [Part Numbers](#) | [Game Monitors](#) | [Board Systems](#) | [Mailing List](#) | [SEGA Distributors](#) | [Service Staff](#) | [Darl's Office](#) | [Samples](#)

- WHAT'S NEW
- MANUALS
- BULLETINS
- PART NUMBERS
- GAME MONITORS
- BOARD SYSTEMS
- MAILING LIST
- SEGA DISTRIBUTORS
- SERVICE STAFF
- DARL'S OFFICE

[HOME](#)

[YZK COMPLIANCE](#)

Sega Enterprises Inc., USA  
Service Department  
Phone: (650)-632-7500  
Fax: (650)-632-7594



### Coin-Op Links:

[Star Tech Journal](#)

[Amusement Industry Mega Site](#)

*If you have any questions about this Home Page please  
E-Mail to:*

[darl.davidson@seu.sega.com](mailto:darl.davidson@seu.sega.com)

OR

[han.rockhill@seu.sega.com](mailto:han.rockhill@seu.sega.com)

A total of **13910** people have accessed this page.

